

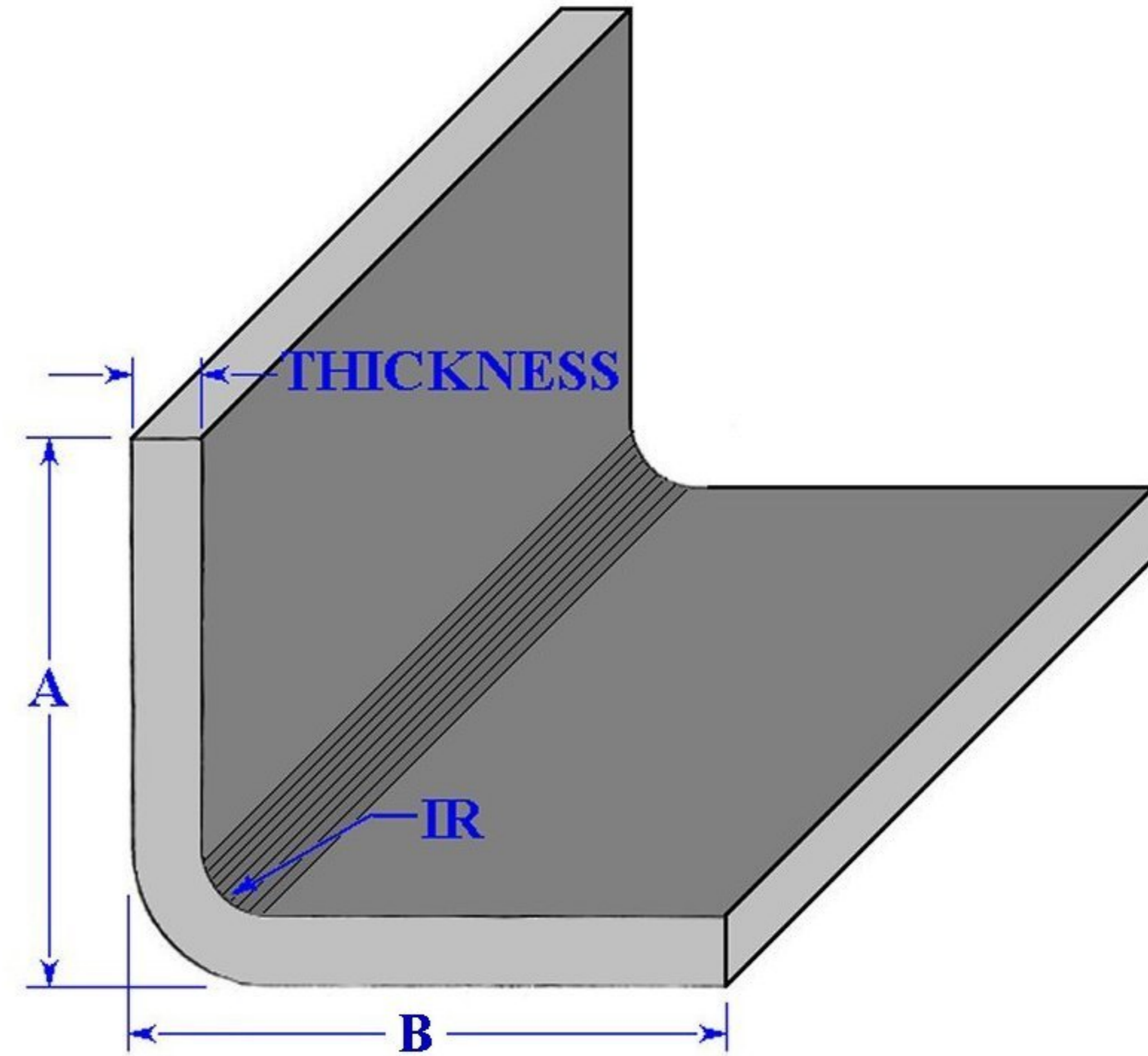
STANDARD 90° ANGLES

TOOL #	A	B	IR	THICKNESS
WRD-13	0.50" - 4.00"	0.50" - 4.00"	0.090"	20 GA. - 7 GA.
BCO-3415	0.50" - 4.00"	0.50" - 4.00"	0.150"	20 GA. - 7 GA.
BCO-201	0.50" - 2.00"	1.00" - 12.00"	0.175"	12 GA. - 7 GA.
BCO-2645	0.50" - 5.75"	0.50" - 4.50"	0.150"	12 GA. - 1/4"

For more information call 1-800-457-8837



CUSTOM ROLLFORMING CORP.



CUSTOMER:

LTR	BY	DATE	REVISIONS

TOLERANCES EXCEPT AS NOTED
X/X +/- .1/16
.X +/- .060
.XX +/- .030
.XXX +/- .015
∠ +/- .2°

THIS DRAWING IS THE PROPERTY OF AND CONTAINS CONFIDENTIAL INFORMATION PROPRIETARY TO CUSTOM ROLLFORMING CORP. IT IS TO BE USED ONLY FOR THE PURPOSE FOR WHICH IT WAS PROVIDED. IT IS NOT TO BE COPIED OR DISCLOSED TO OTHERS AND UPON REQUEST RETURNED TO CUSTOM ROLLFORMING CORP.



90° ANGLE	DATE	DRAWN BY
	SCALE	R. STUCKY
	SHEET	APPROVED BY
REV.	TOOL NO:	